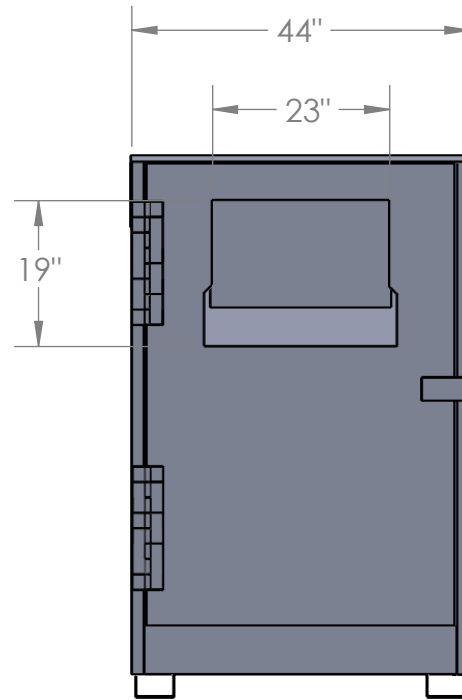
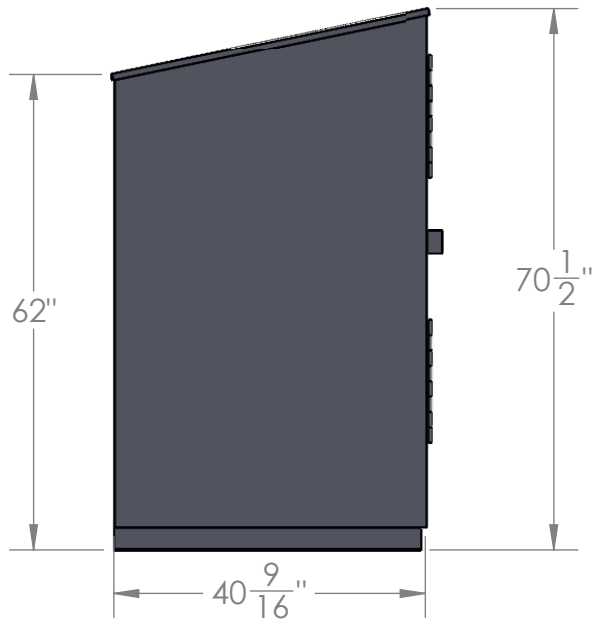
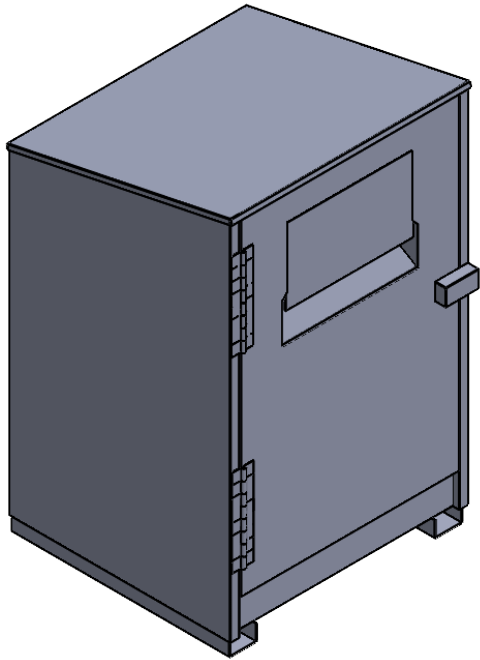


REV	BY	DATE	DESCRIPTION



PROPRIETARY AND CONFIDENTIAL
 THE INFORMATION CONTAINED IN THIS DRAWING IS THE SOLE PROPERTY OF BAKERS WASTE EQUIPMENT INC. ANY REPRODUCTION IN PART OR AS A WHOLE WITHOUT THE WRITTEN PERMISSION OF BAKERS WASTE EQUIPMENT INC. IS PROHIBITED.



FleetGenius, LLC
 1808 Norwood St SW
 Lenoir, NC 28645

SOURCE		TOLERANCES:	
FRACTION	+0, -1/16"	BEND	± 2°

OH/CT/PU	NAME	DATE
XX	MJC	1/13/21
DRW	XX	XX
CHK	XX	XX

TITLE: CLOTHING BIN		SIZE	DWG. NO.	REV
A	CB-Misc (2021)	XX	XX	XX
SCALE: 1:32			SHEET 1 OF 1	